



Step office chairs



**ARMRESTS** are easily adjusted: width adjustment range 8cm, depth adjustment range 5cm, height adjustment range 8cm. Armrests' height adjustment range from sitting height 20-28cm. Seat height range 39-50cm. Also available 5cm higher, please state when ordering.



**WE CAN EQUIP** the Step office chair with ESD (electrostatic discharge) features to control static electricity. In this case, the fabric used must be one which conducts away any electric charge. See Global ESD in our range of models.



**THE SOFT-ACTION** braked double wheeled castors as seen in the product diagrams are a standard fitting in Step chairs. Shoe pads for runners are also available.



**SITTING DEPTH** is regulated by the handle below the seat. Seat depth adjustment range 6cm. The rigidity of this mechanism can be regulated by turning the control in the direction indicated by the arrow (+/-).



**THE HEIGHT OF THE BACKREST** is regulated by a lever at the bottom of the backrest. Backrest height adjustment range 7cm.

- **THE STEP OFFICE CHAIR** guarantee covers manufacturing faults in normal usage (does not cover upholstery material).

- **THE STEP OFFICE CHAIR** has been tested in accordance with the following standards: EN 1335-2, EM 1335-3, ISO 7174-1 and ISO 7173.

- **THE STEP OFFICE CHAIR** is a Finnish "key-flag" benchmarked product.

#### Sales in Finland

Isku Oy, Project Sales Centre, Mikkulankatu 19, 15210 Lahti, tel. +358-3-868 11, fax 03-868 434, e-mail: [julkis@isku.fi](mailto:julkis@isku.fi)

Isku Oy, Project Sales Centre, Eteläesplanadi 20, 00130 Helsinki, tel. 09-686 9910, fax 09-6869 9131, e-mail: [julkis.hki@isku.fi](mailto:julkis.hki@isku.fi)

District Sales Centres in Finland: Espoo, Helsinki, Hämeenlinna, Joensuu, Jyväskylä, Kokkola, Kuopio, Lahti, Kotka, Lappeenranta, Mikkelä, Oulu, Pori, Rovaniemi, Seinäjoki, Tampere, Turku, Vaasa, Vantaa.

#### Subsidiary companies in Sweden and Norway

Isku Inredningar AB, Modellgatan 9-11, Box 82, S-283 22 Osby, tel. +46-479-320 00, fax +46-479-320 32, e-mail: [osby@isku.se](mailto:osby@isku.se), [www.isku.se](http://www.isku.se)

Isku Inredningar AB, Svensk Möbelcenter, Storängsvägen 10, Box 27960, S-115 95 Stockholm, tel. +46-8-665 3620, fax +46-8-665 3636, e-mail: [stockholm@isku.se](mailto:stockholm@isku.se), [www.isku.se](http://www.isku.se)

Isku Inredningar AB, Norra Parkgatan 1, S-211 53 Malmö, tel. +46-40-1094 90, fax +46-40-1094 99, e-mail: [malmö@isku.se](mailto:malmö@isku.se), [www.isku.se](http://www.isku.se)

Isku Inredningar AB, Ågatan 26, S-431 35 Mölndal, tel. +46-31-868 440 00, fax +46-31-868 430, e-mail: [goteborg@isku.se](mailto:goteborg@isku.se), [www.isku.se](http://www.isku.se)

Isku Norge AS, Lilleakerveien 4, Box 30, Lilleaker, N-0216 Oslo, tel. +47-22-515 500, fax +47-22-515 501, e-mail: [firmapost@isku.no](mailto:firmapost@isku.no), [www.isku.no](http://www.isku.no)

#### Lithuania

Isku Baldai UAB, Kestucio gatve 45, 2004 Vilnius, tel. +370-2-727 470, fax +370-2-725 386, e-mail: [isku.baldai@isku.lt](mailto:isku.baldai@isku.lt), [www.isku.lt](http://www.isku.lt)

#### Estonia

Isku Mööbli AS, Pärnu Mnt.139 f, EE-11317 Tallinn, tel. +372-6-556 055, fax +372-6-556 056, e-mail: [isku@isku.ee](mailto:isku@isku.ee), [isku@isku.ee](http://isku@isku.ee)

#### Latvia

Sia Isku Mebeles, Tallinas iela 77, Riga LV 1009, tel. +371-784 2303, fax +371-784 2328, e-mail: [isku.mebeles@isku.lv](mailto:isku.mebeles@isku.lv)



**Isku Center** | Mikkulankatu 19 | 15210 Lahti  
Box 240 | 15101 Lahti | Finland  
Tel. +358-3-868 11 | Fax +358-3-868 434  
e-mail: [julkis@isku.fi](mailto:julkis@isku.fi) | [www.isku.fi](http://www.isku.fi)  
Business Identity Code: fi 0148882-9



## Step-office chair

**SCANDINAVIA LEADS THE WORLD** in workstation and display screen ergonomics. Isku designs, manufactures and delivers workstation solutions to the world's most demanding new technology customers. As a specialist in office furniture and fittings, we are also in a position to deploy our expertise in workstation operations and ergonomics when designing Step, the workstation office chair which meets the demands of the modern era.

**THE BASIC DESIGN PHILOSOPHY** of Step has been to take proper account of ergonomic factors, both those relating to the work being done and those which relate to the user personally; and not only in the design of the chair, but also in the selection of materials and colours. The user of the chair can select the office chair which is best suited to his or her own work, measurements and tastes. The user can individually select the chair's function, backrest, seat and upholstery materials. An office chair which is in tune with the needs and tastes of its user will add to working efficiency and general comfort in the workplace.

**STEP REPRESENTS** a cooperative design effort which satisfies the demands of both experts in the field and customers.

- The seating comfort of Step is in a class of its own.
- Step is designed to satisfy ergonomic considerations: the chair encourages free movement, as it both supports and accommodates movements of your body
- Step represents a light, modern Scandinavian design idiom, which harmonises well with the colours and forms of Isku's products.
- Step is pleasantly light, both in its design and in terms of its actual physical weight.
- Step meets all ergonomic control and adaptability requirements, without compromising the external appearance of the chair.

Whether in terms of ergonomics, design or materials, the Step office chair series represents a unique range of products.

**STEP OFFICE CHAIR** – shaped to perfection.

**DESIGN:** Juha Lähti



A **BACKREST** which is narrower in its upper section supports the back but allows free movement of the arms.



**THE FRONTAL ANGLES** of the seat consist of softer material. The seat provides good support, but does not exert pressure on the legs.



**THE BACKS** of Step 4 and Step 5 feature a neck support. The neck support has a continuous depth and height control. The neck support can be shaped by hand.



**THE DESIGN OF THE ARMRESTS** and the wide range of controls for width, height and depth provide support when working with a mouse. The armrests are made of comfortable and warm Soft-Touch material.



Step S/F 22B



Step S/F 34B

## Step with a back support 2

Light and easy to move, this chair provides good support for legs and the lumbar region. A practical and functional solution for office work when long periods of sitting are required.



Step S/F 23B

## Step with back support 3

A lightweight, versatile office chair, specifically designed for users of medium height. An excellent choice when you have to do a lot of leaning back in the course of your working day!

## Step with back support 4

At last - an adjustable neck support which can be shaped by hand, and which can also combine with a medium-sized office chair! Choose a small or large seat to fit the user.

## Step with back support 5

Now you can combine the largest back with the small seat. This is a high-backed chair, with an adjustable neck support which can be shaped by hand.

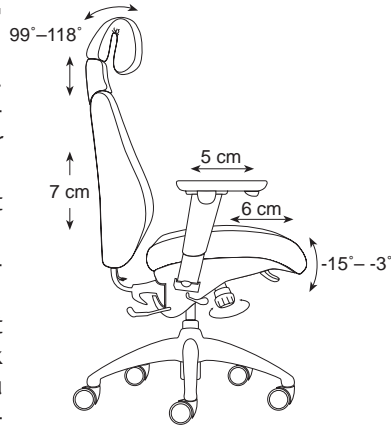


Step S/F 35B

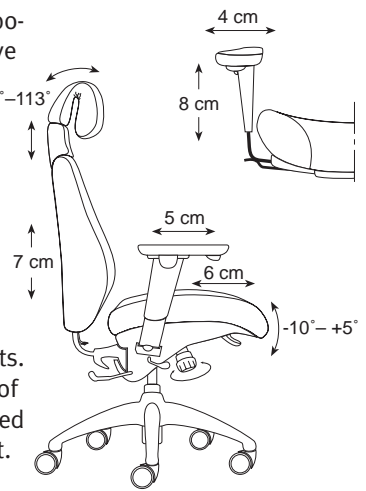
# Choosing a Step office chair to suit you:

Select the function of the Step office chair which corresponds to the requirements of your work.

"**STEP SYNCRO (S)**" is for those who carry out diversified and varied office work. Step S's "syncro-function" enables controlled movement of seat and backrest. When you tilt back the backrest of the Step S office chair by two degrees, the chair seat will simultaneously tilt by one degree. The resistance of the "syncro" mechanism can be adjusted in accordance with the weight of its user. You can also lock the chair at any position you desire - you are not restricted to a few preset positions.



"**STEP FREE FLOAT (F)**" is for those who require their chair to incorporate self-adjustment and "active seating", for example when writing or in conference work. Thanks to Step F's "free float" function, the position of the seat and backrest can be freely adjusted as required in any given work situation. It can also be left to accommodate itself to your physical movements. The strength of the resistance of seat and backrest can be adjusted in accordance with your weight.



Select the seat and backrest which match your measurements and which guarantee you the best seating comfort with or without armrests.

SEAT		BACK				ARMREST	CHAIR
2 46,5x46 cm	3 50x48 cm	2 46,5x47 cm	3 46,5x55 cm	4 (neck support) 46,5x55 cm	5 (neck support) 50x64cm	B 12x25,5cm	
●		●					22
●			●				23
●				●			24
●					●		25
●		●				●	22B
●			●			●	23B
●				●		●	24B
●					●	●	25B
	●	●					32
	●		●				33
	●			●			34
	●				●		35
	●	●				●	32B
	●		●			●	33B
	●			●		●	34B
	●				●	●	35B

Finally, select colour and upholstery materials.

The appearance of the STEP office chair can be customised by selecting either one single fabric or two different fabrics, a combination of leather and fabric, or all leather.

	Fabric m	Fabric 1 m	Fabric 2 m	Fabric m	Leather j2	Leather 1 j2	Leather 2 j2
22(B)	0,95	0,75	0,40	0,75	4,10	12,20	4,10
23(B)	1,00	0,85	0,40	0,85	4,40	13,80	4,40
24(B)	1,20	1,05	0,40	1,05	8,60	13,80	8,60
25(B)	1,35	0,90	0,70	0,90	10,40	13,90	10,40
32(B)	1,00	0,80	0,45	0,80	4,40	12,80	4,40
33(B)	1,20	0,90	0,45	0,90	4,70	14,40	4,70
34(B)	1,35	1,10	0,45	1,10	8,90	14,40	8,90
35(B)	1,35	0,95	0,70	0,95	10,70	14,50	10,7

Fabric 1 = neck support as well as seat and front of back in back 4 / Fabric 2 = rear of back and neck support in back 5